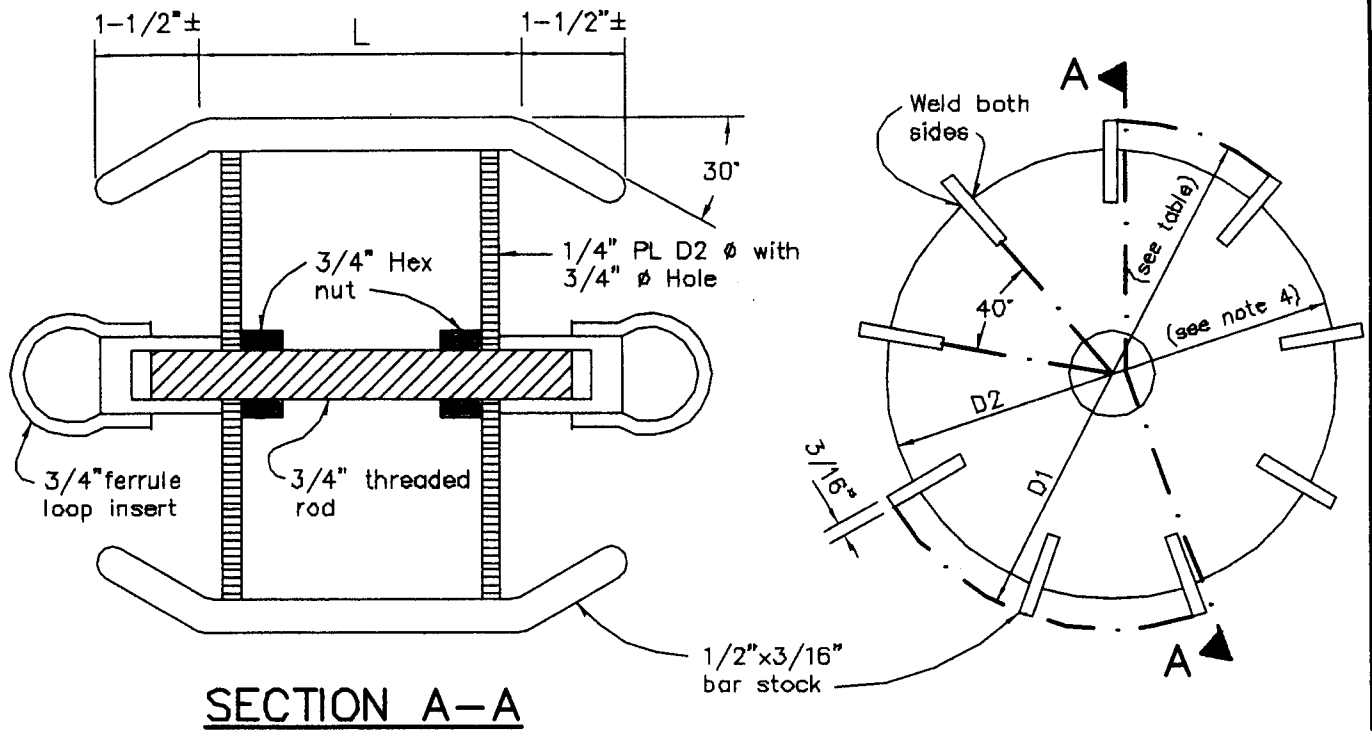


NOTES:

1. Mark all materials with ASTM specification number, SDR number and deflection.
2. The 1/2" Bar Stock on edge provides clearance to pass small amounts of soil which may be in pipe.
3. Mandrel diameter has been calculated based on section 306-1.2.12 of the "Greenbook" Standard Specifications for Public Works Construction and or dimensions given in Table 1 of ASTM Standard D3034.
4. Plate diameter shall be 1" less than the mandrel diameter.

		MANDREL DIAMETER (D-1) SEE NOTE 3	
		5% DEFLECTION	
Nom. Pipe Dia.	L	SDR 35	SDR 26
6	6"	5.619	5.503
8	8"	7.524	7.366
10	10"	9.405	9.207
12	12"	11.191	10.961
15	15"	13.849	13.559

CITY OF ROHNERT PARK	
PVC SEWER PIPE DEFLECTION MANDREL	
SCALE: NONE	DATE: JANUARY 2006
Approved: <i>Dampfheim</i>	STD. - 518



SECTION A-A

		MANDREL DIAMETER (D-1) SEE NOTE 3	
		5% DEFLECTION	
Nom. Pipe Dia.	L	SDR 35	SDR 26
6	6"	5.619	5.503
8	8"	7.524	7.366
10	10"	9.405	9.207
12	12"	11.191	10.961
15	15"	13.849	13.559

NOTES:

1. Mark all materials with ASTM specification number, SDR number and deflection.
2. The 1/2" Bar Stock on edge provides clearance to pass small amounts of soil which may be in pipe.
3. Mandrel diameter has been calculated based on section 306-1.2.12 of the "Greenbook" Standard Specifications for Public Works Construction and or dimensions given in Table 1 of ASTM Standard D3034.
4. Plate diameter shall be 1" less than the mandrel diameter.

CITY OF SANTA ROSA	
PVC SEWER PIPE DEFLECTION MANDREL	
SCALE: NONE	DATE: Sept.2002
DWN: GC	APPROVED
CHK: RH	FILE NO. STD.- 518